

- SOLID STATE DESIGN
REPLACES ANALOG METERS
- POWERED FROM C.D. IGNITION
OR 12-125 VDC
- TRIPS STANDARD TATTLETALES
OR ELECTRONIC ANNUNCIATORS
- HIGH AND LOW PRESSURE
LIMITS SET FROM FRONT
USING DISPLAY READOUT
- AVAILABLE WITH 4-20 MA
PROPORTIONAL OUTPUT
- STANDARD 4 1/2" ROUND
WEATHERPROOF CASE



CERTIFIED
CLASS I, GROUP D, DIV. 1 AND 2

altronic®

DIGITAL PRESSURE SWITCH & GAUGE DPHL-1501 SERIES



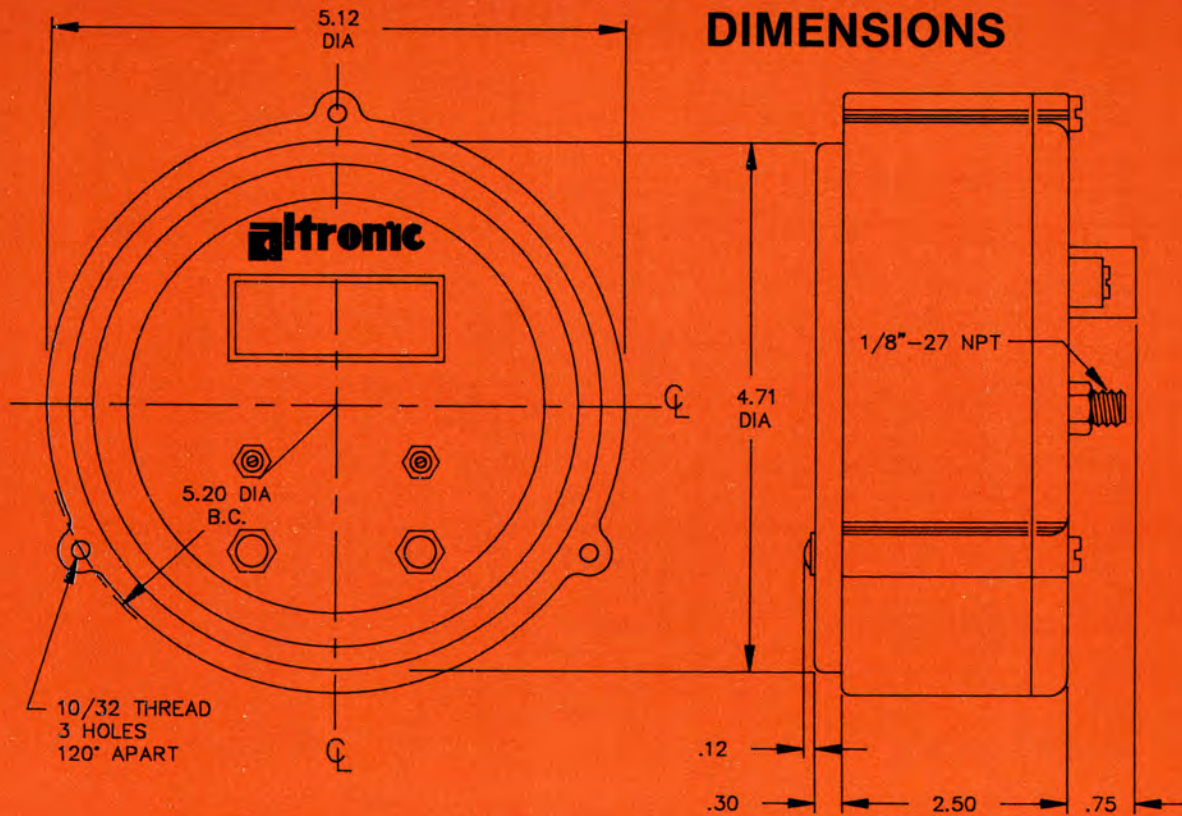
The Altronic DPHL-1501 series pressure switch & gauge is a solid state device which gives a continuous pressure readout and has an alarm/shutdown capability at user adjusted high and low pressure limits. Powered from C.D. ignition systems or 12-125 VDC, the DPHL-1501 shutdown connection can be used with Altronic annunciators, tattletale relays or other devices (such as solenoids or conventional relays) operated from DC current.

The push-to-read button on the front of the device allows the high and low pressure limits to be read on the display. The setpoints are adjusted independently using a small screwdriver until the display readout matches the desired pressures. The setpoint values are retained indefinitely thus

duplicating the operation of conventional mechanical switches.

An additional option available in DC-powered (12-36 VDC) devices is a 4-20 ma output proportional to the displayed pressure. This feature can be used for feedback to a control device or a computer system for process control.

The 4 1/2" round, weatherproof case fits an industry standard panel cutout allowing easy replacement of analog/mechanical devices. The pressure input is connected at the back of the gauge (see back side). Three models cover from low pressure (under 100 psi) to applications as high as 5,000 psi thus reducing the number of different range gauges required.



DIMENSIONS

SPECIFICATIONS

POWER REQUIREMENT:	
IGNITION POWERED	C.D. IGNITION SYSTEM
DC POWERED (W/O 4-20MA)	12-125 VDC
DC POWERED (WITH 4-20MA)	12-36 VDC
HAZARDOUS AREA CLASSIFICATION	CLASS I, GROUP D, DIV. 2; SEE "TO ORDER" INFORMATION FOR CLASS 1, GROUP D, DIV. 1
INSTRUMENT DISPLAY	4 DIGIT LCD, 0.5 INCH HEIGHT
INSTRUMENT RANGE:	
READOUT & SETPOINT	0-100 PSI, 0-1000 PSI, 0-5000 PSI
INSTRUMENT ACCURACY	±0.5% OF FULL RANGE, 0°F TO +150°F ±1.0% OF FULL RANGE, -40°F TO +175°F
DISPLAY UPDATE RATE	2.5 SECONDS
LIMIT SWITCH RATING:	
IGNITION POWERED MODELS	400 VDC, 0.1 AMP CONTINUOUS
DC POWERED MODELS	120 VDC, 1.0 AMP CONTINUOUS
AMBIENT TEMPERATURE RANGE	-40°F TO +175°F / -40°C TO +80°C

TO ORDER

PRESSURE SWITCH & GAUGE

Single Point Readout With High and Low Limit Pressure Switch:

C.D. Ignition Powered	DPHL-1501x
12-125 VDC Powered	DPHL-1501Dx
12-36 VDC Powered w/ 4-20ma Output	DPHL-1501DxP

NOTE: Specify pressure range desired.

- x = A for 0-100 psi range
- = C for 0-1000 psi range
- = E for 0-5000 psi range

CLASS I, GROUP D, DIVISION 1
HAZARDOUS AREA APPLICATION

Intrinsically Safe Option:

Ignition powered models require Altronic Barrier which accepts ignition input and gives intrinsically safe output.

Neg. Ground Ignition	690 107
Pos. Ground Ignition	690 108
Cable Assembly	693 106-1

Class I, Group D Enclosure Option:

Add -X to above device part number.

**altronic[®]
inc.**

712 TRUMBULL AVE • GIRARD, OH 44420 • (330) 545-9768 • FAX: (330) 545-9005