



DIGITAL PYROMETERS WITH ALARM SWITCH DPYH-4300 SERIES

- 4, 6, AND 8-POINT MODELS
- AVAILABLE WITH INDIVIDUAL SETPOINT FOR EACH CHANNEL
- MICROPROCESSOR-BASED
- RUGGED, ANODIZED ALUMINUM CASE
- UNIVERSAL FEATURES:
 - SELECTABLE °C or °F READOUT
 - SELECTABLE J or K THERMOCOUPLE
 - POWERED FROM C.D. IGNITION OR 12–48 VDC
 - SOLID STATE LIMIT SWITCHES
- UNIVERSAL APPLICATION:
 - Compressor process gas temperatures
 - Engine water and oil temperatures
 - Cylinder exhaust temperatures
 - Turbocharger inlet/outlet temperatures
 - Catalytic converter inlet/outlet temperatures
 - Critical points on heavy-duty machinery



The Altronic DPYH-4300U digital pyrometers are electronic instruments designed to monitor temperatures using industry-standard type J or K thermocouple probes. Models are available having 4, 6 or 8 channels. All versions can be set for readout in either degrees C. or F. and may be powered from either a C.D. ignition system or 12–48 Vdc.

In the DPYH-4390U series, an individual high alarm setpoint is provided for each channel. Model DPYH-4354U has one common setpoint for four channels. The setpoints are adjustable by the user from the front of the device using the display. Each alarm channel has its own dedicated normally-open solid-state output switch suitable for hook-up to an Altronic annunciator or DC-operated relay.

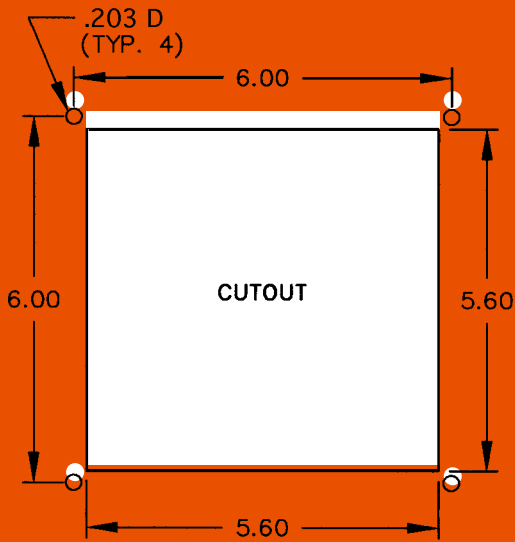
The display indicates both the channel number and the monitored temperature. A push of the sealed membrane keypad allows any channel to be displayed for readout or for a continuous scan of all channels; all points are continuously monitored internally for alarms. All device configuration data and setpoints are entered through the front keypad.

Cold junction compensation is provided, eliminating the need for field calibration. An open thermocouple is indicated by a specific display readout. The devices are housed in a gasketed, anodized aluminum case and assembled using stainless steel hardware, making them ideal for oilfield or other demanding environmental applications.

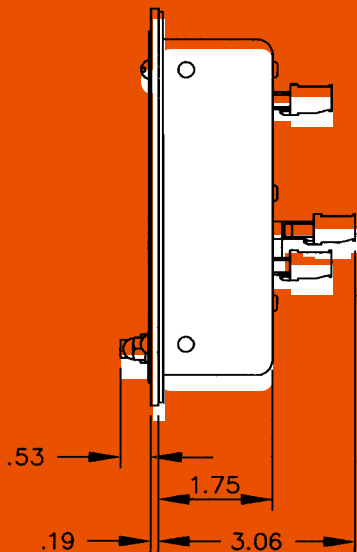
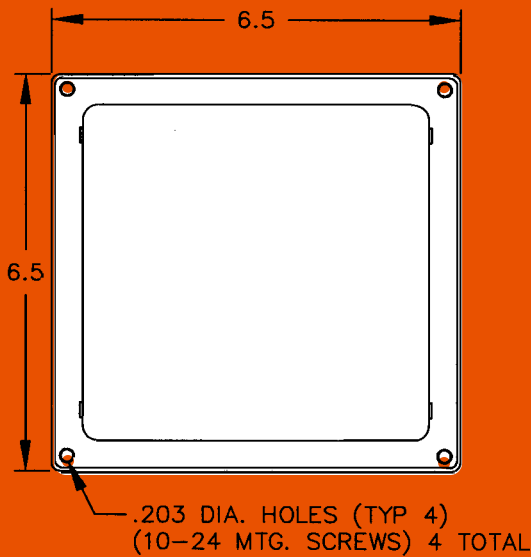


CERTIFIED
CLASS I, GROUP D,
DIVISION I AND 2
(see back for details)

DIMENSIONS



RECESSED MOUNTING



SPECIFICATIONS

POWER REQUIREMENT	C.D. IGNITION (110-400V.) OR 12-48 VDC
HAZARDOUS AREA CLASSIFICATION	CLASS I, GROUP D, DIV. 2 SEE TO "ORDER" INFORMATION FOR CLASS I, GROUP D, DIV. 1
INSTRUMENT DISPLAY	5-DIGIT LCD, 0.4 INCH HEIGHT
DISPLAY READOUT	DEGREES C. OR F. (USER SELECTABLE)
INSTRUMENT RANGE	
READOUT	32°F. TO 1500°F. / 0°C. TO 800°C.
SETPOINT	160°F. TO 1400°F. / 70°C. TO 760°C.
INSTRUMENT ACCURACY	±1% OF READING, ±3 DEGREES
DISPLAY UPDATE RATE	3 TIMES PER SECOND
SETPOINT SWITCH RATING:	SOLID STATE, NORMALLY OPEN
DPYH-4354U/4394U	400 VDC, 150 MA CONTINUOUS
DPYH-4396U/4398U	50 VDC, 100 MA CONTINUOUS
AMBIENT TEMPERATURE RANGE	-40°F. TO +175°F. / -40°C. TO +80°C.
THERMOCOUPLE TYPE	TYPE J OR K (USER SELECTABLE)
COLD JUNCTION COMPENSATION	AUTOMATIC

TO ORDER

DIGITAL PYROMETER

4 POINTS WITH COMMON SETPOINT	DPYH-4354U*
4 POINTS WITH INDIVIDUAL SETPOINTS	DPYH-4394U
6 POINTS WITH INDIVIDUAL SETPOINTS	DPYH-4396U
8 POINTS WITH INDIVIDUAL SETPOINTS	DPYH-4398U

*Replaces former models DPYH-4354U-J and -K.

CLASS I, GROUP D, DIVISION I HAZARDOUS AREA APPLICATION

Use Altronic Barrier and certified Altronic annunciator:

Negative ground C.D. ignition	690 107
Positive ground C.D. ignition	690 108
Cable assembly	693 106-1

NOTE: For DC-powered applications, use a CSA-certified zener barrier rated at 30 volts max., 120 ohms min., such as Stahl part no. 9001/01-280-165-10.

**altronic[®]
inc.**

712 TRUMBULL AVE. / GIRARD, OHIO 44420
PHONE: (330) 545-9768 / FAX: (330) 545-9005
E-Mail: sales@altronicinc.com Website: www.altronicinc.com